

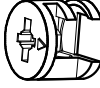

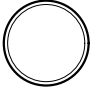


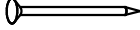
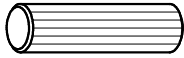

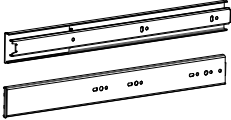

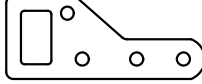
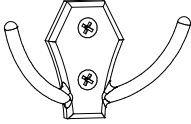
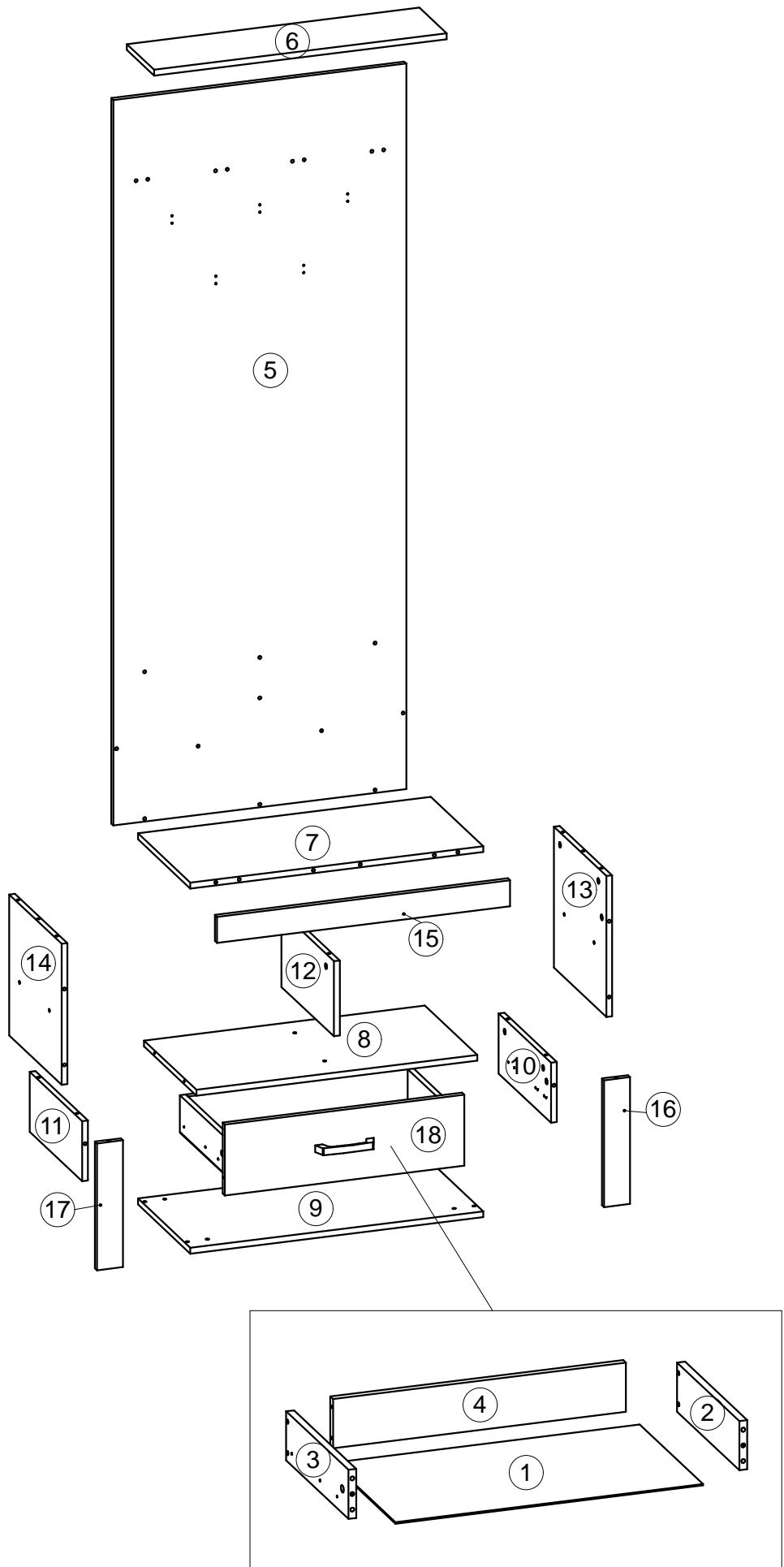
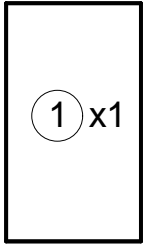
 Ø6,3x50 mm A1 x 33	 Ø12 mm A2 x 33	 4 mm A3 x 1	 Ø15x12 mm B1 x 20	 Ø5x44 mm B2 x 20
 Ø20 mm B3 x 20	 Ø4x16 mm D1 x 20	 Ø4x30 mm D2 x 2	 Ø1,6x25 mm F x 23	 Ø8x36 mm G x 16
 H x 1	 K x 1	 N x 4	 Ø5x16 mm U x 2	 V x 5

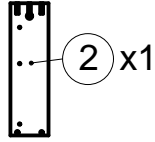


Box 1

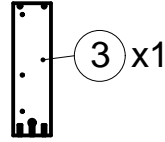
630x356x3 mm



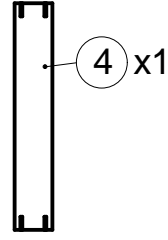
350x100x16 mm



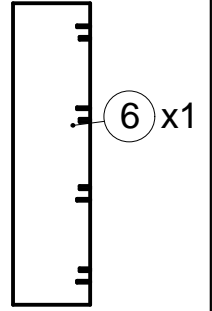
350x100x16 mm



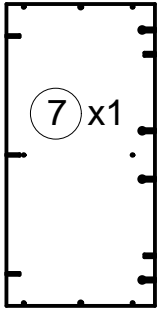
600x100x16 mm



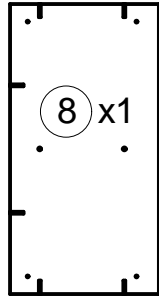
798x204x16 mm



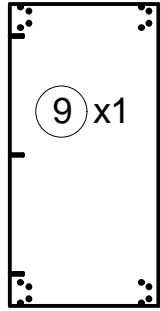
799x393x16 mm



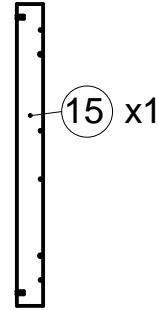
767x393x16 mm



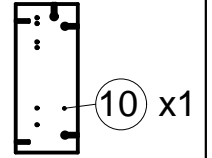
799x393x16 mm



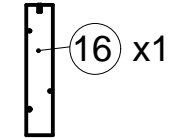
799x70x16 mm



393x164x16 mm

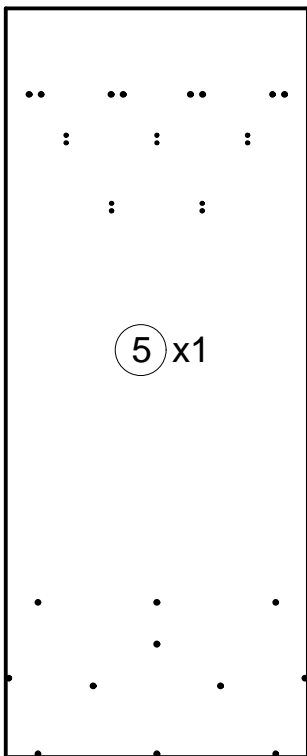


345x70x16 mm

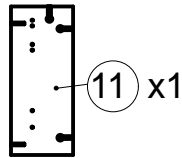


Box 2

1980x799x16 mm

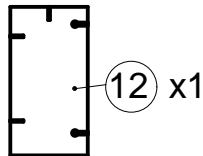


393x164x16 mm

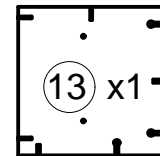


Fittings & Tools

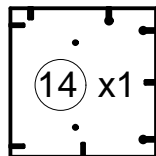
205x393x16 mm



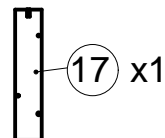
385x393x16 mm



385x393x16 mm

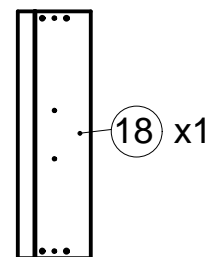


345x70x16 mm



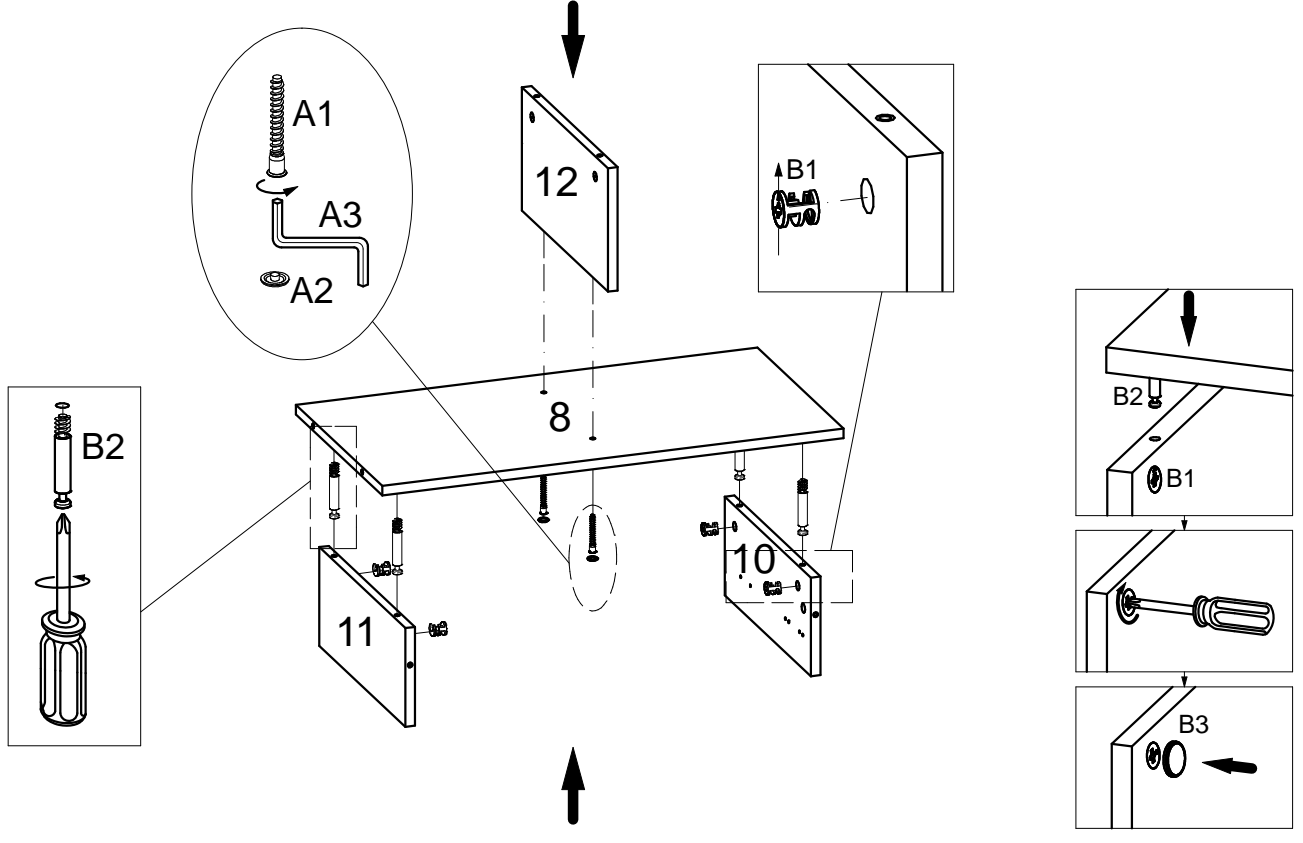
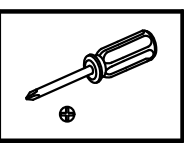
Box

193x653x16 mm



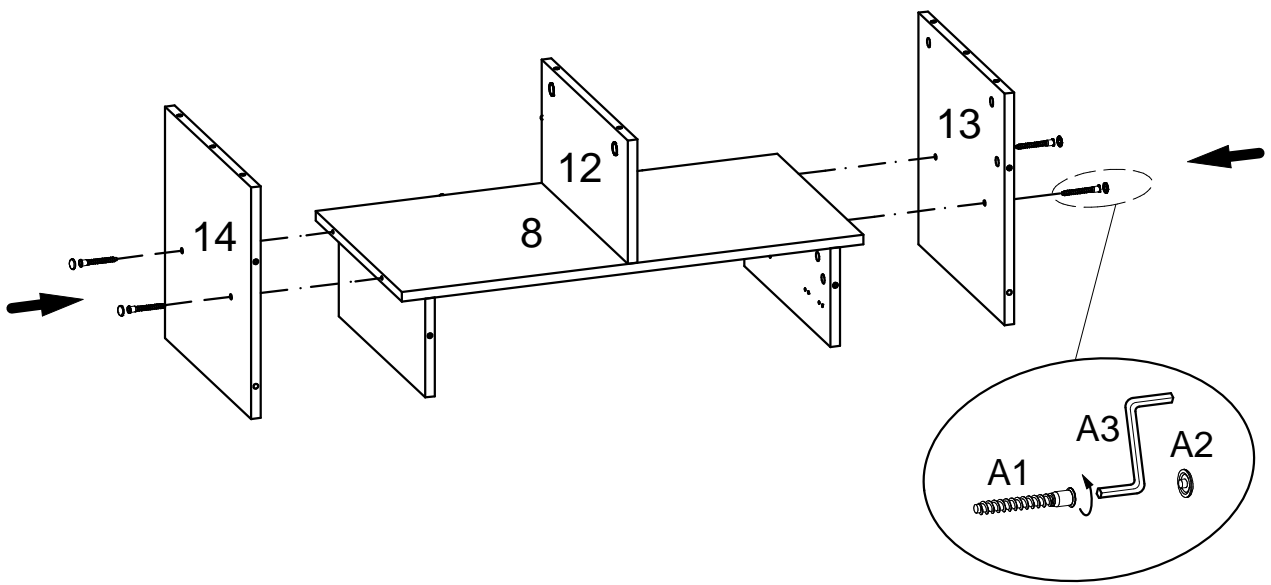
1

- A1 x 2
- A2 x 2
- A3 x 1
- B1 x 4
- B2 x 4
- B3 x 4



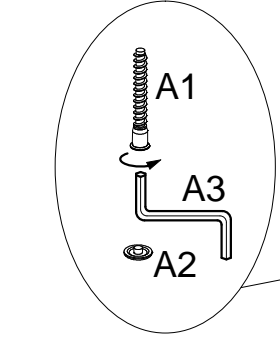
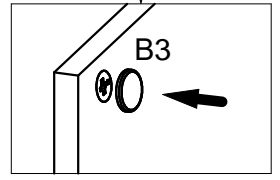
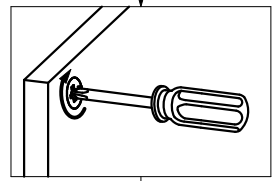
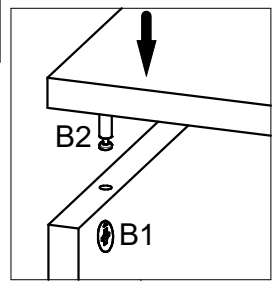
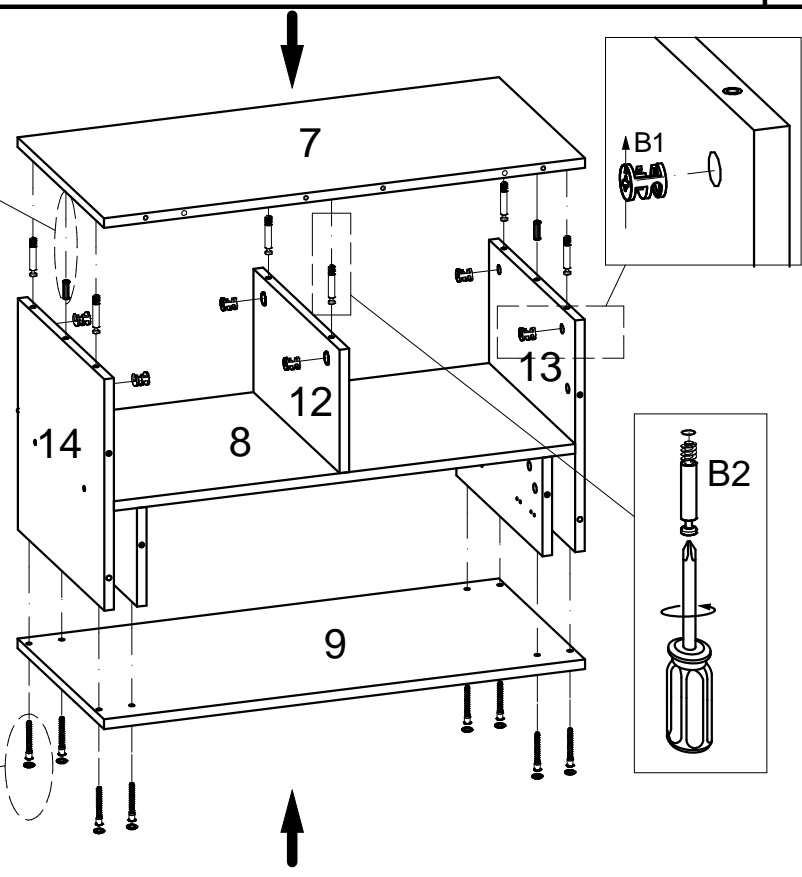
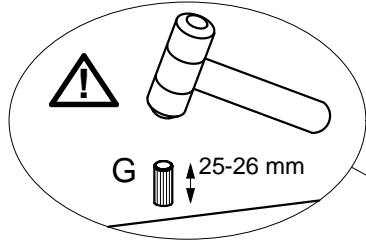
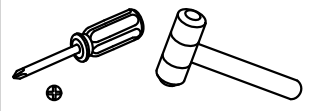
2

- A1 x 4
- A2 x 4
- A3 x 1



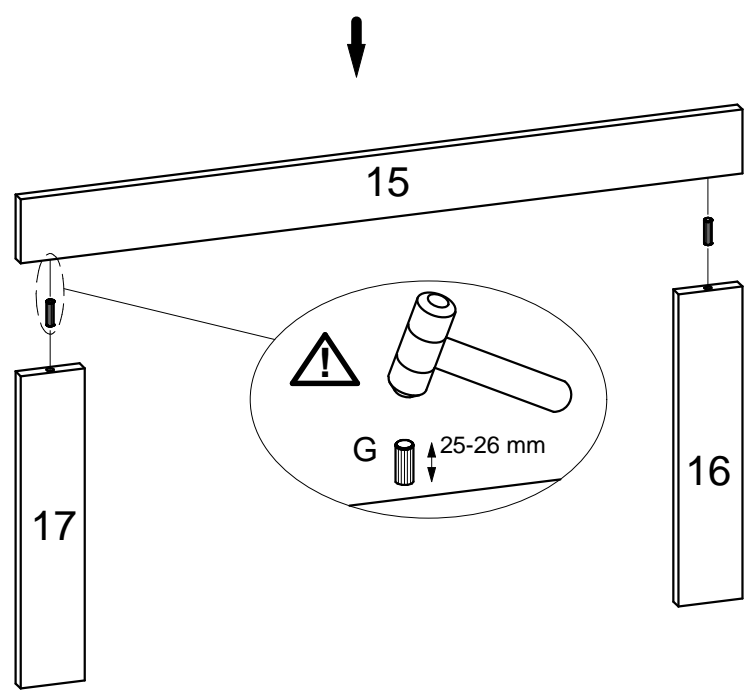
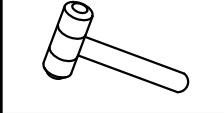
3

- A1 x 8
- A2 x 8
- A3 x 1
- B1 x 6
- B2 x 6
- B3 x 6
- G x 2



4

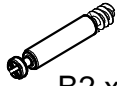
- G x 2



5



B1 x 8



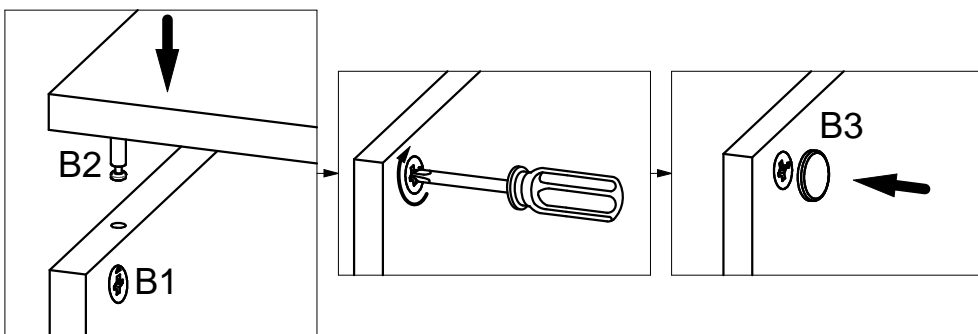
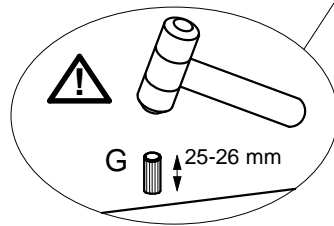
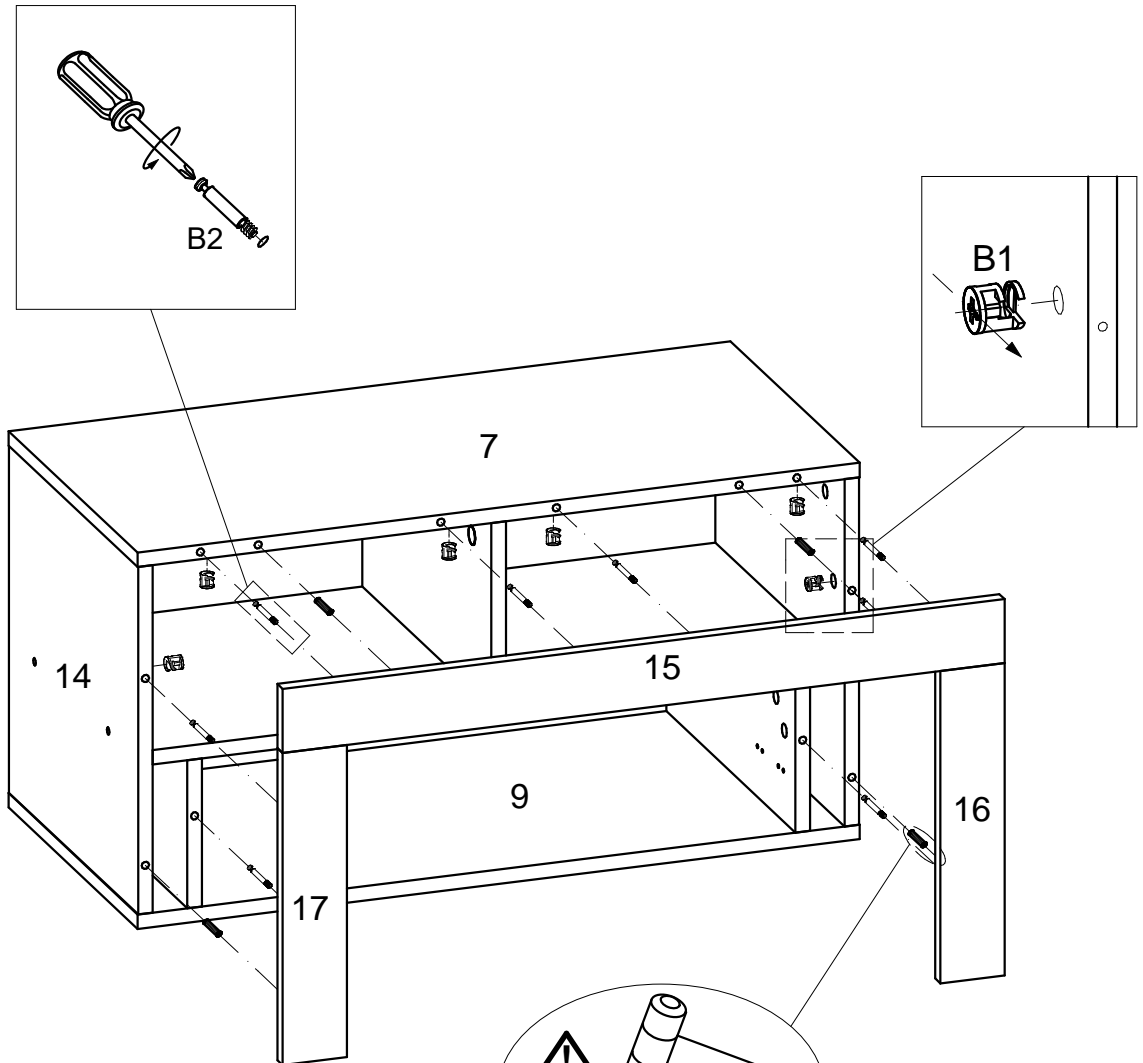
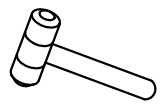
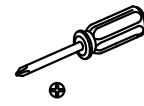
B2 x 8



B3 x 8



G x 4



6



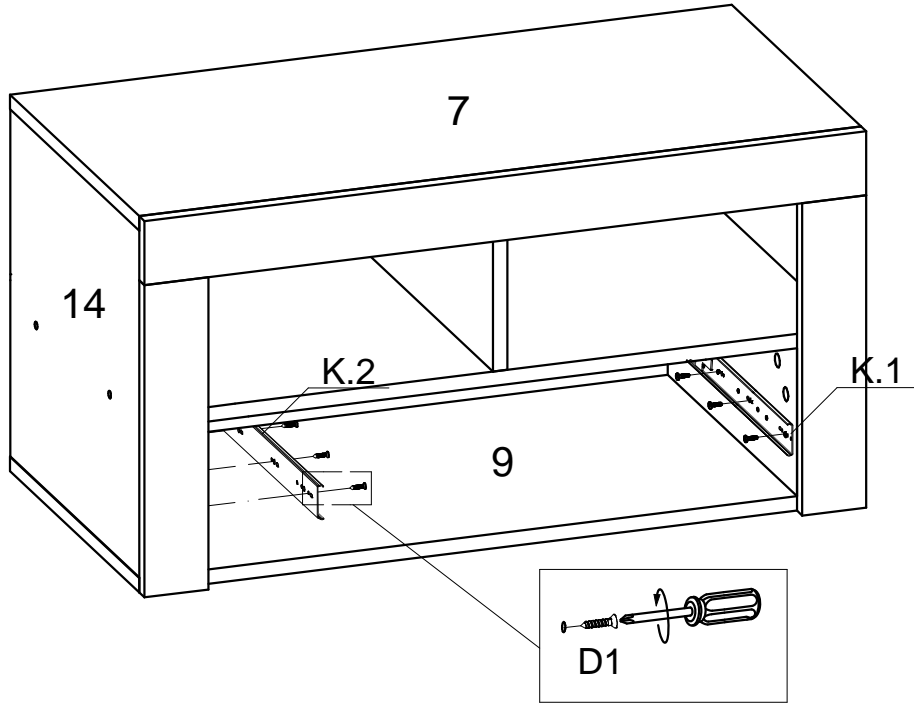
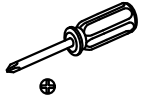
D1 x 6



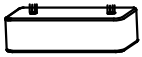
K.1 x 1



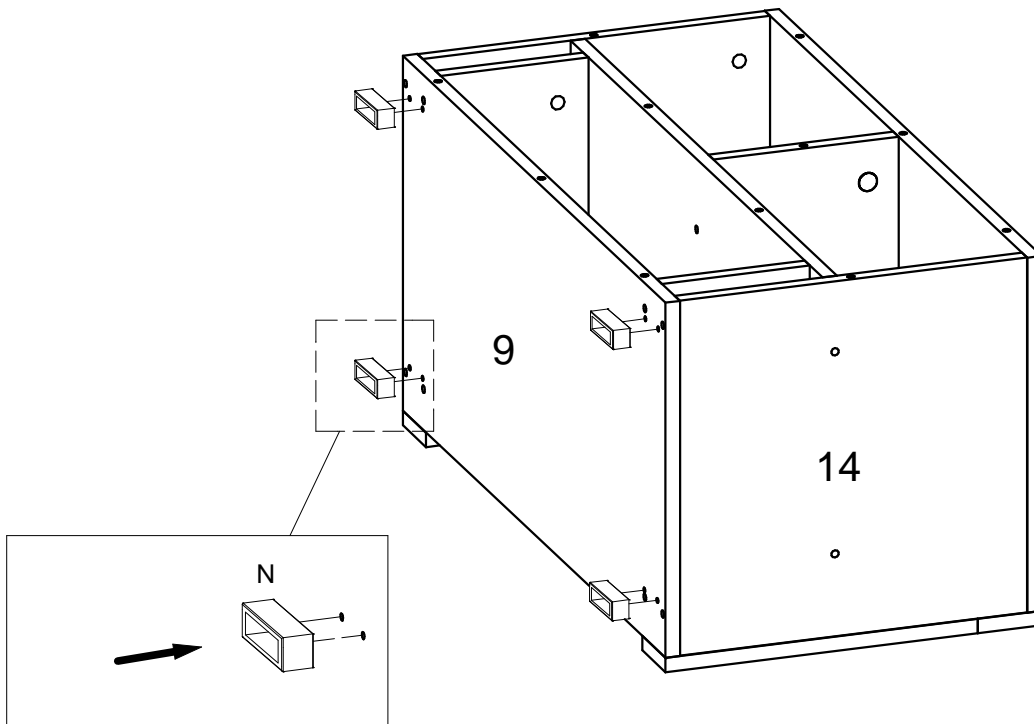
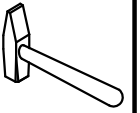
K.2 x 1



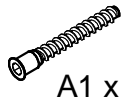
7



N x 4



8



A1 x 15



A2 x 15



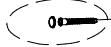
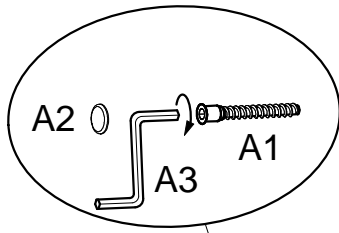
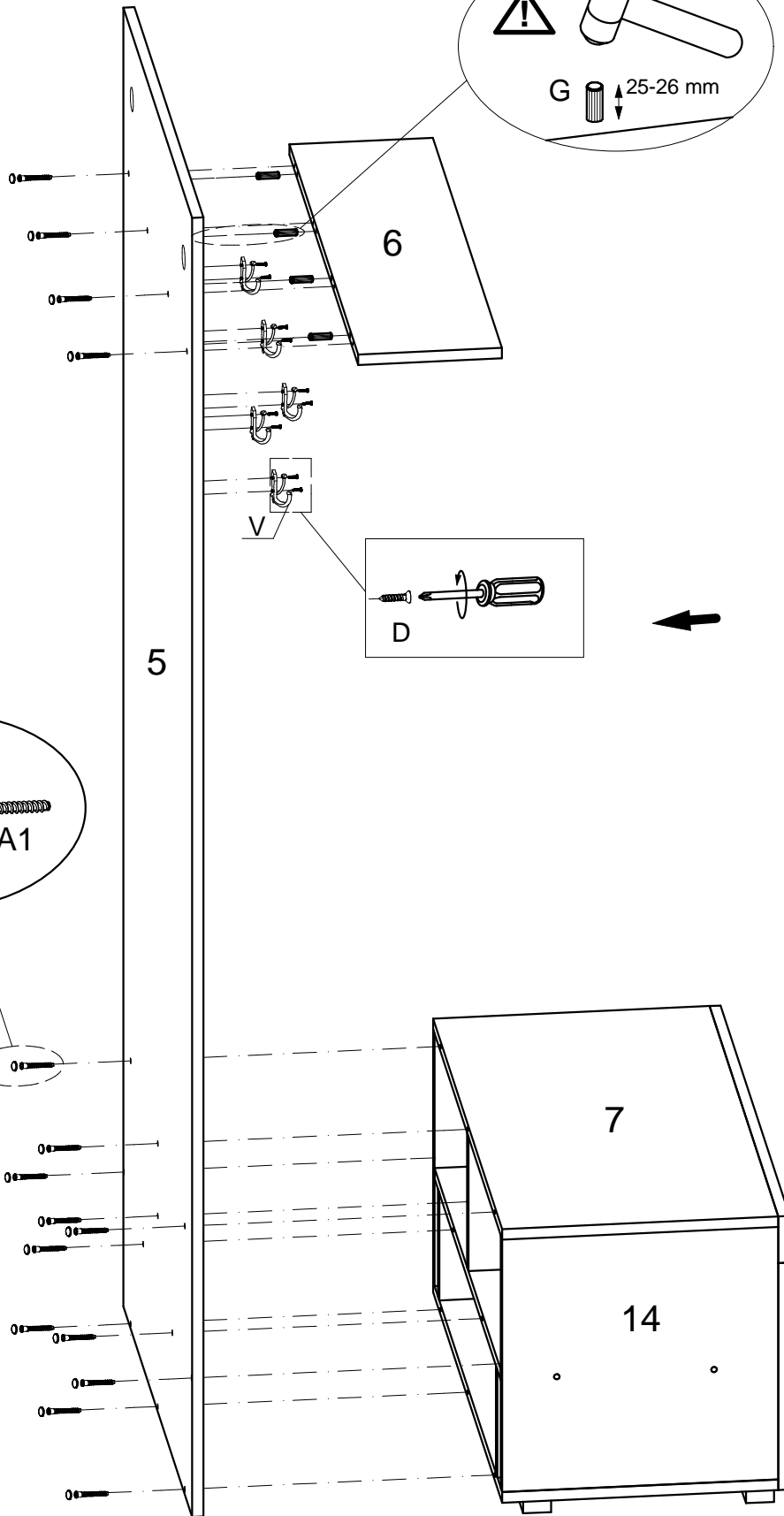
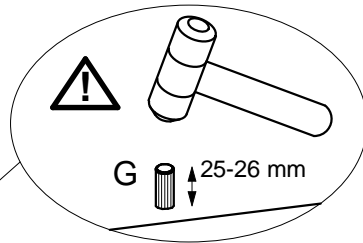
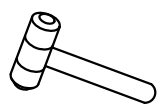
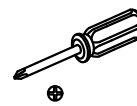
A3 x 1



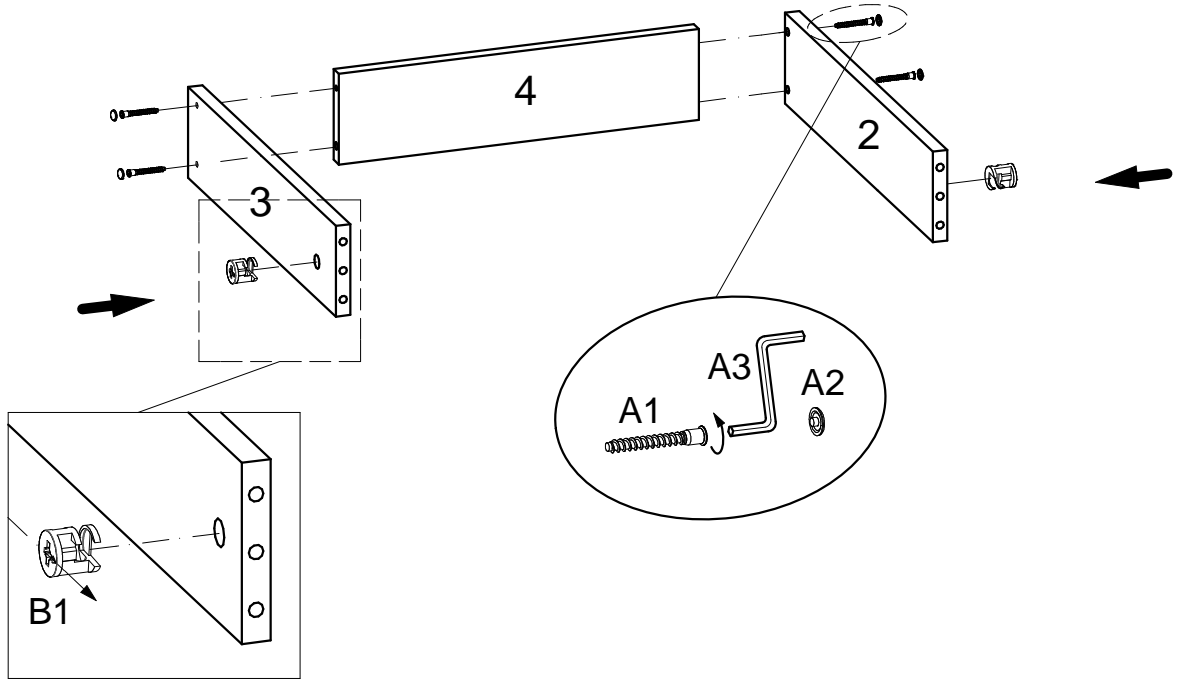
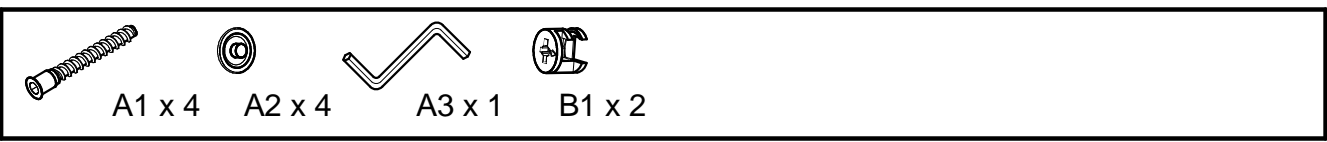
G x 4



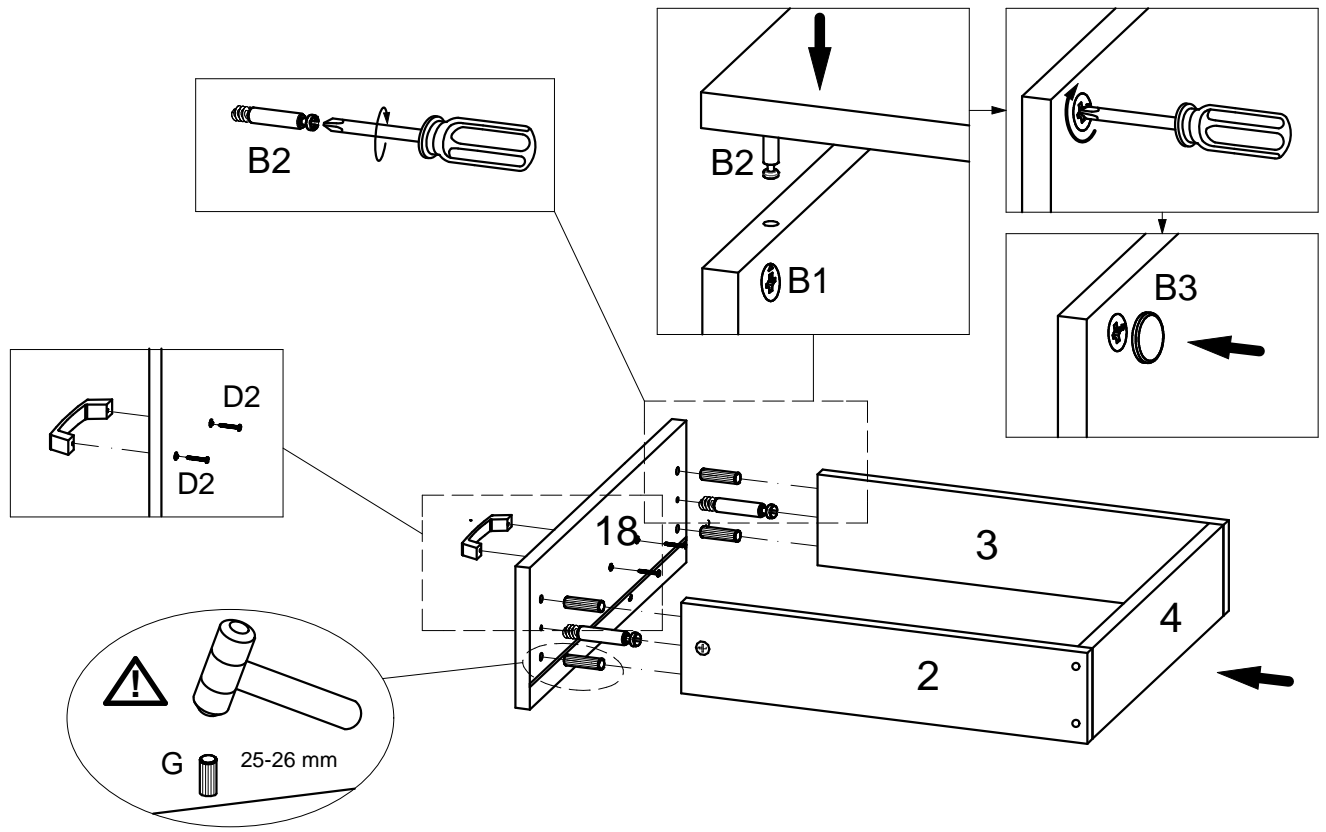
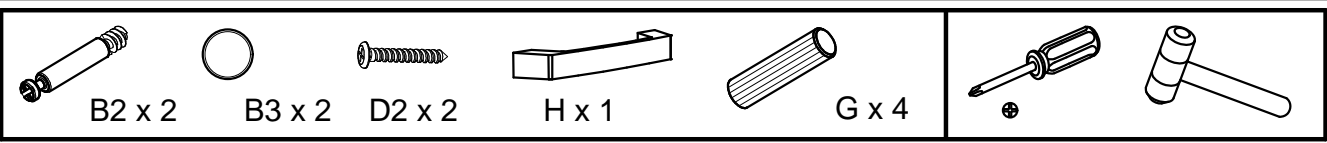
V x 5



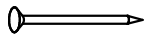
9



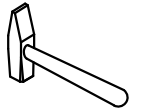
10



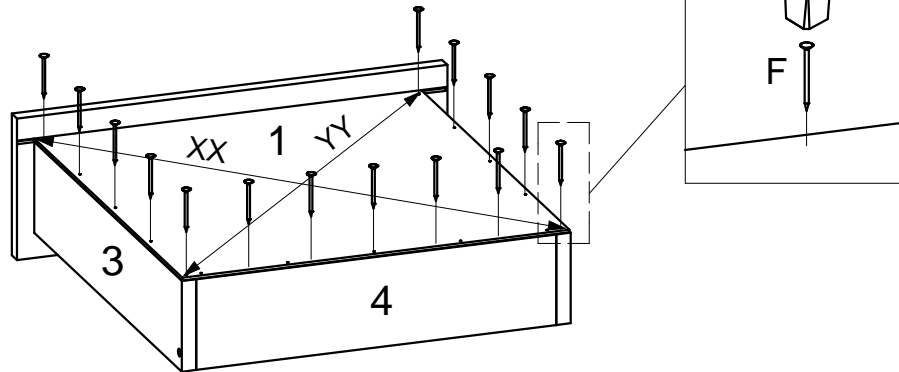
11



F x 23



⚠ XX=YY≅90°



12



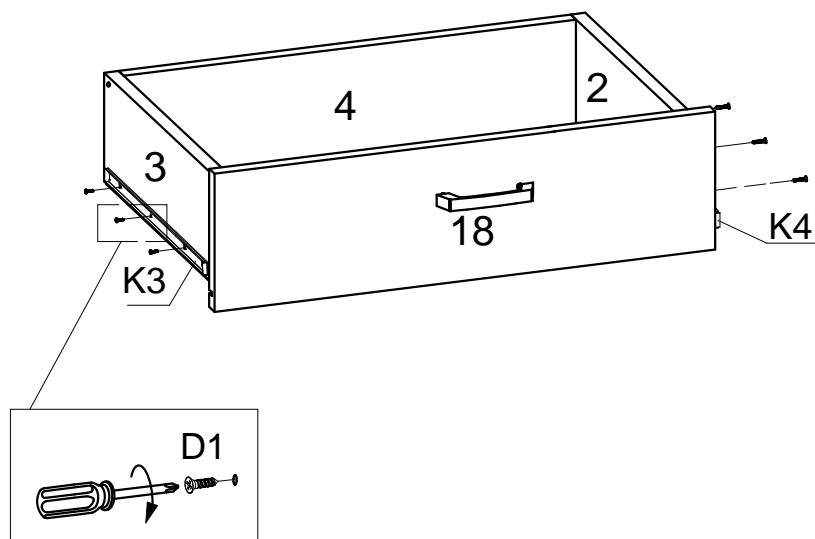
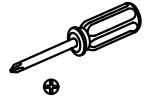
D1 x 6



K.3 x 1



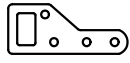
K.4 x 1



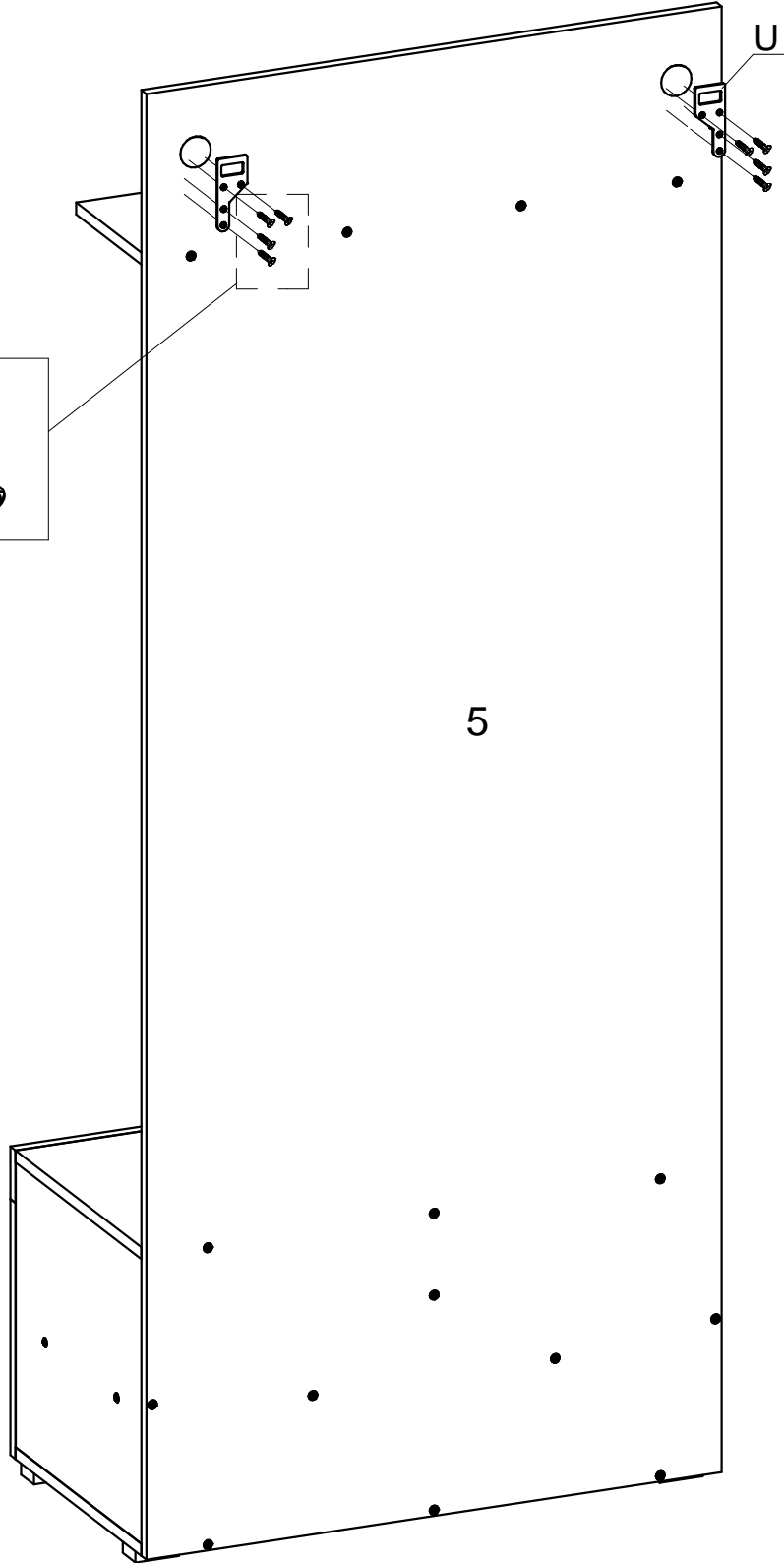
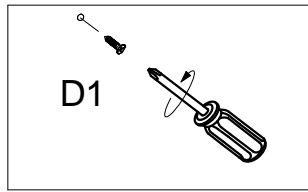
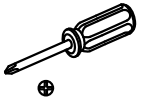
13



D1 x 8



U x 2



14

